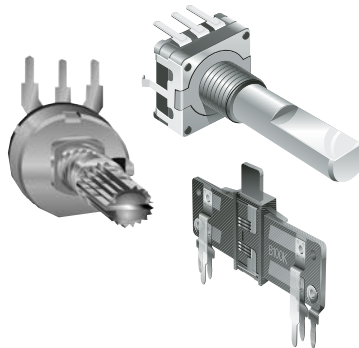




Featured Products Bulletin

SENSORS & CONTROLS PRODUCTS



Bourns® Sensors and Controls Division Updated MOQs for Selected Panel Controls, Slide Pots and Encoders

Riverside, California - February 12, 2008 - In line with our commitment to provide our customers with exceptional value, Bourns® Sensors and Controls Division is pleased to announce updated MOQs for selected Commercial Panel Controls, Slide Pots and Encoders.

Attached you will find the updated MOQs and multiples effective immediately.

There are no changes in prices for any of these models. These MOQ and multiple changes will be reflected in the 2008 Distribution Price Book.

Panel Control Models

Model	Old MOQ	Old Mult	New MOQ	New Mult
PDA17-AN	1000	100	500	100
PDA17-AS	1000	100	500	100
PDA17-SN	1000	100	500	100
PDA17-SS	1000	100	500	100
PDA17-VN	1000	100	500	100
PDA17-VS	1000	100	500	100
PDA17-PN	1000	100	500	100
PDA17-PS	1000	100	500	100
PDB12-F,G,H,M	1000	100	500	100
PDB181-x2	1000	100	500	100
PDB181-x4	1000	100	500	100
PDB182-x2	1000	100	500	100
PDB182-x4	1000	100	500	100
PDB241-x2	1000	100	500	100
PDB241-x4	1000	100	500	100
PDB242-x2	1000	100	500	100
PDB242-x4	1000	100	500	100
PTD901	1200	400	324	162
PTD902	1200	400	288	144
PTD903	1200	400	198	99
PTD904	1200	400	198	99
PTD905	1200	400	144	72
PTD906	1080	360	144	72
PTD908	1080	180	126	63
PTR901	1200	400	324	162
PTR902	1200	400	288	144
PTR903	1200	400	198	99
PTR904	1200	400	198	99
PTR905	1080	180	144	72
PTR906	1080	180	144	72
PTV09A	1000	100	200	100
PTV111-1415A-A1105	1000	100	200	100
PTV111-1	1000	100	200	100
PTV111-2	1000	100	200	100
PTV111-3	1000	100	200	100
PTV111-4	1000	100	200	100
PTV112-1	-	-	200	100
PTV112-2	-	-	200	100
PTV112-3	-	-	200	100
PTV112-4	-	-	200	100
PTV142	1000	100	200	50

Slide Potentiometer Models

Model	Old MOQ	Old Mult	New MOQ	New Mult
PDV10-x1	1000	100	500	100
PDV10-x2	1000	100	500	100
PDV15-x1	1000	100	500	100
PDV15-x2	1000	100	500	100
PDV20-x1	1000	100	500	100
PDV20-x2	1000	100	500	100
PDV30-x1	1000	100	500	100
PDV30-x2	1000	100	500	100
PTA1543-20	1000	100	500	100
PTA1543-22	1000	100	500	100
PTA1544-20	1000	100	500	100
PTA1544-22	1000	100	500	100
PTA2043-20	1000	100	500	100
PTA2043-22	1000	100	500	100
PTA2044-20	1000	100	500	100
PTA2044-22	1000	100	500	100
PTA3043-20	1000	100	500	100
PTA3043-22	1000	100	500	100
PTA3044-20	1000	100	500	100
PTA3044-22	1000	100	500	100
PTA4543-20	1000	100	500	100
PTA4543-22	1000	100	500	100
PTA4544-20	1000	100	500	100
PTA4544-22	1000	100	500	100
PTA4553-20	1000	100	500	100
PTA4553-22	1000	100	500	100
PTA6043-20	1000	100	500	100
PTA6043-22	1000	100	500	100
PTA6044-20	1000	100	500	100
PTA6044-22	1000	100	500	100
PTA6053-20	1000	100	500	100
PTB0143	1000	100	200	100
PTB0144	1000	100	200	100
PTB0153	1000	100	200	100
PTB0154	1000	100	200	100
PTB4543	1000	100	200	100
PTB4544	1000	100	200	100
PTB4553	1000	100	200	100
PTB4554	1000	100	200	100
PTB6043	1000	100	200	100
PTB6044	1000	100	200	100
PTB6053	1000	100	200	100
PTB6054	1000	100	200	100
PTS01	-	-	360	90

Encoder Models

Model	Old MOQ	Old Mult	New MOQ	New Mult
PEC11-xx15F/K-Sxxxx (with switch)	1500	75	150	75
PEC11-xxxxF/K-Nxxxx	2000	100	150	75
PEC11-xxxxF-Sxxxx (with switch)	1500	75	150	75
PEC11-XX10F/K-SXXX (with switch)	-	-	200	100
PEC11-XX25F/K-NXXXX	-	-	150	75
PEC11-XX25F/K-SXXXX (with switch)	-	-	150	75
PEC11-XX30F/K-NXXXX	-	-	150	75
PEC11-XX30F/K-SXXXX	-	-	150	75
PEC12-xx17F-Nxxxx	2000	100	200	100
PEC12-xx17F-Sxxxx (with switch)	1500	75	150	75
PEC12-xxxxF-Nxxxx	2000	100	200	100
PEC12-xxxxF-Sxxxx (with switch)	1500	75	150	75
PEC12-XX25F-Nxxxx	-	-	150	75
PEC12-XX25F-SXXXX (with switch)	-	-	150	75
PEC16-xxxxF-Nxxxx	1000	50	100	50
PEC16-xxxxF-Sxxxx (with switch)	1000	50	100	50