

*RoHS COMPLIANT
& **HALOGEN FREE

Features

- 8 A current rating per contact
- 4 mm pitch and height
- Precious metal contacts
- RoHS compliant* - see [processing information](#) on RoHS compliant surface mount components
- High cycle life - 50K cycles
- Halogen free**

Applications

- Handheld communications - mobile phones, pagers, cordless phones, GPS, PICs, radios
- Portable consumer equipment - PDAs, HPCs, notebook PCs, cameras, dictaphones, PICs, games

Sustainability

- Small size reduces material use
- Eco-logistics-friendly packaging
- Corrosion-resistant for longevity
- ISO 14001, low-impact energy
- Responsibly sourced and produced

Product Overview

Bourns' next generation of Modular Contacts represents a major advancement in interconnect technology for power-demanding applications. Engineered to address the growing need for compact yet robust power delivery solutions, this new connector offers higher level current carrying capability. Bourns® High Power Modular Contact Interconnect products retain the modularity and flexibility that standard modular contacts have, including stackable

configurations, multiple pitch options, and versatile mating orientations to accommodate a wide range of design requirements — specifications that engineers value and require. Whether utilized in board-to-board, board-to-device, or docking applications, the new high power platform ensures low contact resistance, minimal heat rise, and an extended life cycle of 50,000 cycles.

Materials & Finishes

Insulator.....Glass reinforced thermoplastic, UL 94V-0 rated, black
 Contact.....Copper alloy
 Finish
 Underplating.....30 μ" min. Ni
 Contact Area.....30 μ" min. Au over Ni
 Termination.....Tin alloy (meets MIL-STD-202, method 208)

Operating Characteristics

Electrical
 Current RatingDC 8 A/contact
 Voltage Rating30 VDC
 Contact Resistance.....25 mohms max.
 Dielectric Voltage500 VAC
 Insulating Resistance500 Mohms min.
 Operating Temperature-55 °C to 125 °C

Mechanical
 Vibration10-55 Hz, 0.06 inches D.A.
 Shock.....50 G, 11 ms
 Normal Force.....100 grams min. at a working height of 0.51 mm (0.020 in.)

Durability50,000 cycles min.
 Contact Resistance after 50,000 Cycles50 mΩ
 MSL.....1
 ESD Rating (HBM).....3B
 Storage Condition40 °C max. / 70 % R.H. max.

How to Order

78AD J - 4 - M L 0 G

Model _____

Terminal Style _____
 J = SMT
 H = Through-hole

Number of Contacts (N)
 2 through 6

Gender _____
 M = Male

Height _____
 L = Low Profile

Options _____
 0 = Standard
 1 = Locator Pins (J Style Only)

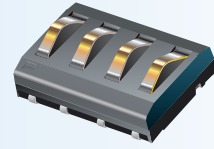
Packaging (MSL-1) _____
 __ = Tube: 120/N pcs. or 120 contacts per tube
 G = Embossed Tape: 500 pcs. per reel (J/SMT Style Only)

Contact Information

www.bourns.com	Phone	Email
Asia-Pacific	+886-2 2562-4117	asiacus@bourns.com
Europe	+36 88 885 877	eurocus@bourns.com
Mexico	+52 614 478 0400	mexicus@bourns.com
The Americas	+1-951 781-5500	americus@bourns.com

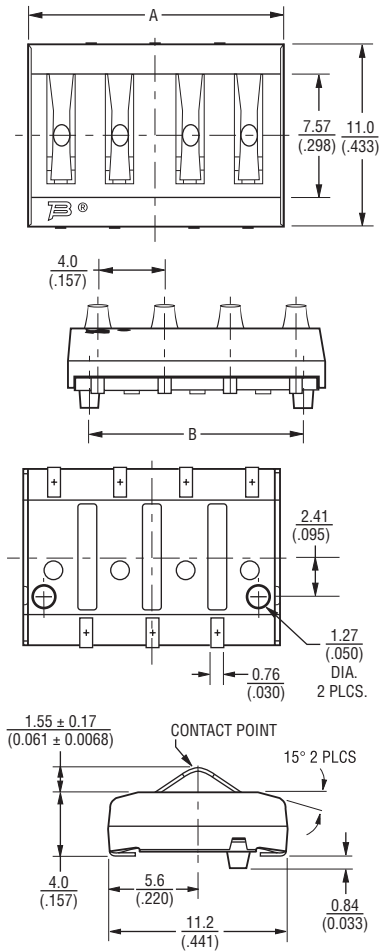
* RoHS Directive 2015/863, Mar 31, 2015 and Annex.
 ** Bourns considers a product to be "halogen free" if (a) the Bromine (Br) content is 900 ppm or less; (b) the Chlorine (Cl) content is 900 ppm or less; and (c) the total Bromine (Br) and Chlorine (Cl) content is 1500 ppm or less.

Specifications are subject to change without notice. Users should verify actual device performance in their specific applications. The products described herein and this document are subject to specific legal disclaimers as set forth on the last page of this document, and at www.bourns.com/docs/legal/disclaimer.pdf.

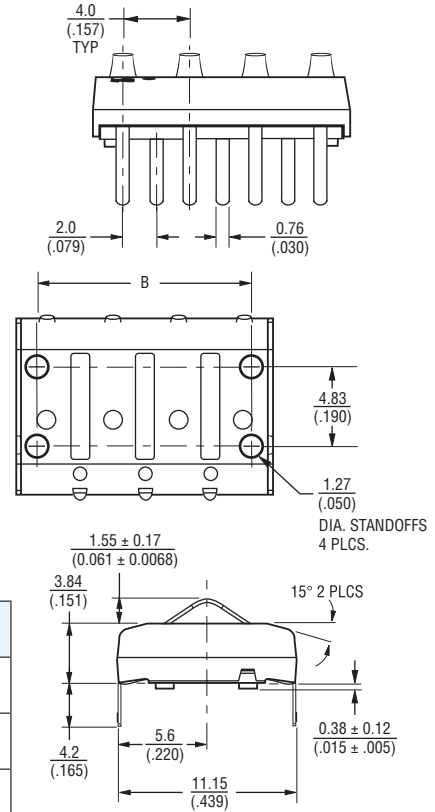


Product Dimensions

78ADJ



78ADH

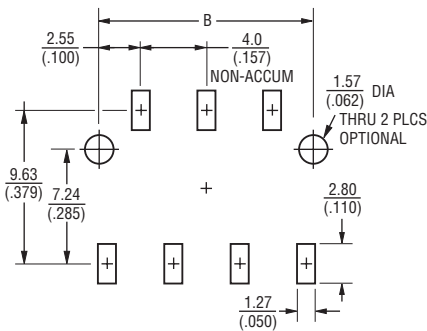


DIMENSIONS: $\frac{\text{MM}}{\text{(INCHES)}}$

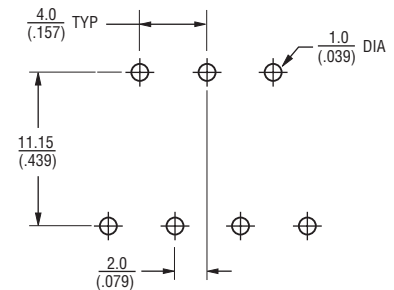
TOLERANCES: $\pm \frac{0.3}{(.012)}$ EXCEPT WHERE NOTED

Number of Contacts	Dimension A	Dimension B
2	$\frac{7.82}{(.308)}$	$\frac{5.11}{(.201)}$
3	$\frac{11.82}{(.466)}$	$\frac{9.11}{(.359)}$
4	$\frac{15.82}{(.623)}$	$\frac{13.11}{(.516)}$
5	$\frac{19.82}{(.781)}$	$\frac{17.11}{(.674)}$
6	$\frac{23.83}{(.938)}$	$\frac{21.11}{(.831)}$

78ADJ Recommended PWB Layout

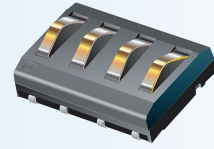


78ADH Recommended PWB Layout



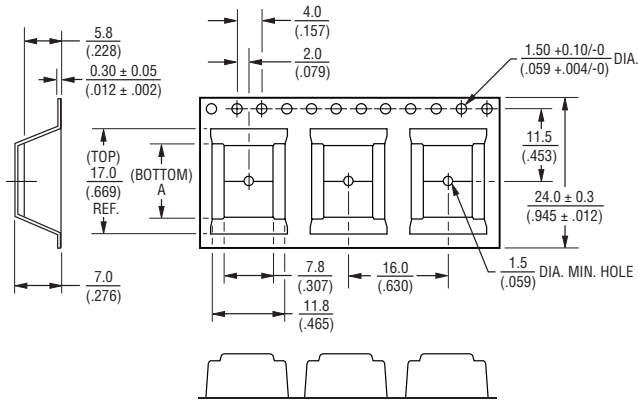
Specifications are subject to change without notice. Users should verify actual device performance in their specific applications.

The products described herein and this document are subject to specific legal disclaimers as set forth on the last page of this document, and at www.bourns.com/docs/legal/disclaimer.pdf.

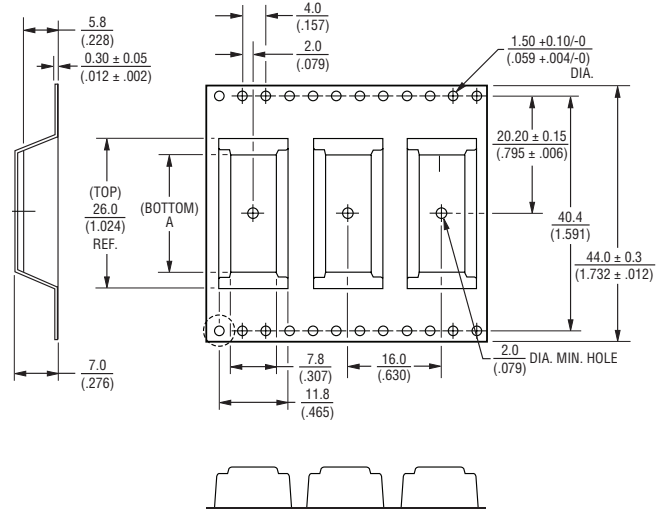


Packaging Specifications

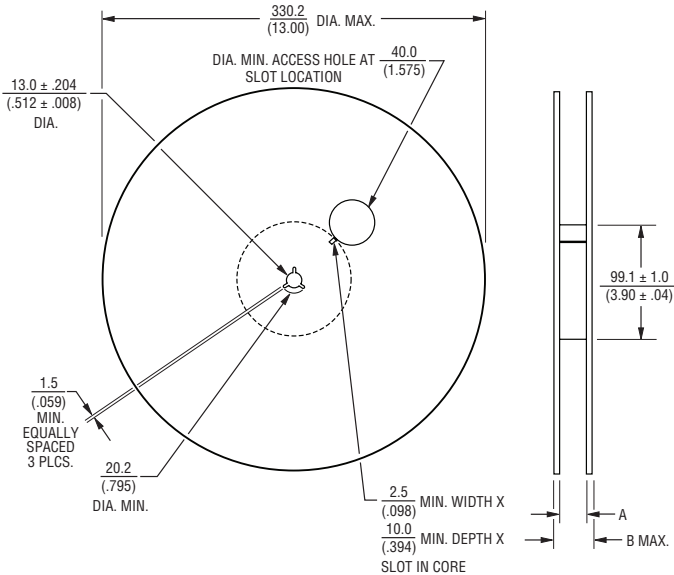
(J/SMT STYLE ONLY)



No. of Contacts	Dimension A
2	$\frac{6.15}{(.242)}$
3	$\frac{11.7}{(.461)}$
4	$\frac{16.7}{(.657)}$



No. of Contacts	Dimension A
5	$\frac{19.4}{(.764)}$
6	$\frac{25.5}{(1.004)}$



No. of Contacts	Dimension A	Dimension B (Max.)
2	$\frac{24.41}{(.961)}$	$\frac{30.40}{(1.197)}$
3	$\frac{24.41}{(.961)}$	$\frac{30.40}{(1.197)}$
4	$\frac{24.41}{(.961)}$	$\frac{30.40}{(1.197)}$
5	$\frac{44.83}{(1.765)}$	$\frac{50.30}{(1.98)}$
6	$\frac{44.83}{(1.765)}$	$\frac{50.30}{(1.98)}$

DIMENSIONS: $\frac{\text{MM}}{\text{(INCHES)}}$

REV. 01/26

Specifications are subject to change without notice. Users should verify actual device performance in their specific applications.

The products described herein and this document are subject to specific legal disclaimers as set forth on the last page of this document, and at www.bourns.com/docs/legal/disclaimer.pdf.

This legal disclaimer applies to purchasers and users of Bourns® products manufactured by or on behalf of Bourns, Inc. and its affiliates (collectively, "Bourns").

Unless otherwise expressly indicated in writing, Bourns® products and data sheets relating thereto are subject to change without notice. Users should check for and obtain the latest relevant information and verify that such information is current and complete before placing orders for Bourns® products.

The characteristics and parameters of a Bourns® product set forth in its data sheet are based on laboratory conditions, and statements regarding the suitability of products for certain "typical" applications are based on Bourns' knowledge of typical requirements in generic applications. Bourns assumes that "typical" applications include failsafe/backup features to address critical risks to users and are designed to allow rework of Bourns® product to avoid scrap of a device solely due to malfunctioning Bourns® product. The characteristics and parameters of a Bourns® product in a user application may vary from the data sheet characteristics and parameters due to (i) the combination of the Bourns® product with other components in the user's application, or (ii) the environment of the user application itself. The characteristics and parameters of a Bourns® product also can and do vary in different applications and actual performance may vary over time. Thus, users should always verify the actual performance of the Bourns® product in their specific devices and applications and make their own independent judgments regarding the suitability of Bourns® product and the amount of additional test margin to design into their device or application to compensate for differences between laboratory and real-world conditions.

Unless Bourns has explicitly designated an individual Bourns® product as meeting the requirements of a particular industry standard (e.g., IATF 16949) or a particular qualification (e.g., UL listed or recognized), Bourns is not responsible for any failure of an individual Bourns® product to meet the requirements of such industry standard or particular qualification even if such industry standard or qualification is a "state of art". Users of Bourns® products are responsible for ensuring compliance with safety-related requirements and standards applicable to their devices or applications.

Bourns® products are not recommended, authorized or intended for use in applications where failure or malfunction may result in personal injury, death, or severe property or environmental damage, such as without limitation nuclear, life-critical medical and certain automotive and aviation applications. Except as set forth in the bullet points below or unless expressly and specifically approved in writing on a case-by-case basis by an authorized Bourns' representative, use of any Bourns® products in such unauthorized high-risk applications is at the user's sole risk.

- Bourns considers implantable/invasive devices and devices/procedures designed as life-supporting or life-sustaining by the U.S. Food and Drug Administration or equivalent organizations outside of the United States as "life-critical" medical applications. Bourns expressly identifies those Bourns® standard products that are suitable for use in typical medical applications that are not life-critical in its publication entitled "Bourns Medical Grade Component Guide."
- Bourns expressly identifies those Bourns® standard products that are suitable for use in typical automotive applications associated with any Automate Safety Integrity Level (ASIL) in its publication entitled "Bourns Automotive Grade Component Guide." Bourns' designation of Bourns® product as compliant with the AEC-Q standard does not by itself mean that Bourns has approved such product for use in an automotive application.
- Bourns expressly identifies Bourns® standard products that are suitable for use in the typical aviation applications/systems requiring System Design Assurance Level (RTCA DO-254 DAL) of C, D or E in its publication entitled "Bourns Civilian Aerospace/Aviation Grade Component Guide." Bourns does not test its products for compliance with United States Federal Aviation Administration standards or any other generally equivalent governmental organization standard applicable to products designed or manufactured for use in aviation applications. Use of Bourns® standard components in aviation applications associated with RTCA DO-254 DAL A or B without proper approval noted above shall be at the user's sole risk.
- Bourns will review and authorize on a case-by-case basis the use of Bourns® standard products which are at least AEC-Q compliant in space-related civil applications (rockets, satellites) with a negotiated cross-waiver and indemnity agreement.

The use and level of testing applicable to Bourns® custom products shall be negotiated on a case-by-case basis by Bourns and the user for which such Bourns® custom products are specially designed. Absent a written agreement between Bourns and the user regarding the use and level of such testing, the above provisions applicable to Bourns® standard products shall also apply to such Bourns® custom products.

Use of Bourns® products or Bourns' technology in military/defense applications must be reviewed with Bourns for compliance with applicable export control laws and embargoes. Users shall not sell, transfer, export or re-export (which includes transfers within a country) any Bourns® products or technology or technical data for use in activities which involve the design, development, production, use or stockpiling of nuclear, chemical or biological weapons or missiles, nor shall they use Bourns® products or technology or technical data in any facility which engages in activities relating to such devices. Further, Bourns® products and Bourns' technology and technical data may not under any circumstance be exported or re-exported to countries subject to international sanctions or embargoes. Bourns® products and technology may not, without prior authorization from Bourns and/or the Government of a country where such product/technology is designed and/or manufactured, be resold, transferred, or re-exported (including within the same country) to any party not eligible to receive commodities, software, and technical data originating in such country.

To the maximum extent permitted by applicable law, Bourns disclaims (i) any and all liability for special, punitive, consequential, incidental or indirect damages or lost revenues or lost profits, and (ii) any and all implied warranties (those not based on parameters specified in Bourns' data sheets and/or specifications), including implied warranties of fitness for particular purpose, non-infringement and merchantability.

For your convenience, copies of this Legal Disclaimer Notice with German, Spanish, Japanese, Traditional Chinese and Simplified Chinese bilingual versions are available at:

Web Page: <https://www.bourns.com/legal/disclaimers-terms-and-policies>

PDF: <https://www.bourns.com/docs/Legal/disclaimer.pdf>

K2540 05/26R



CALIFORNIA WARNING: Can expose you to lead, a carcinogen and reproductive toxicant.

See www.P65Warnings.ca.gov