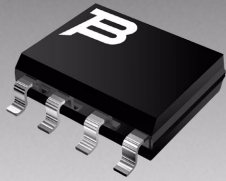


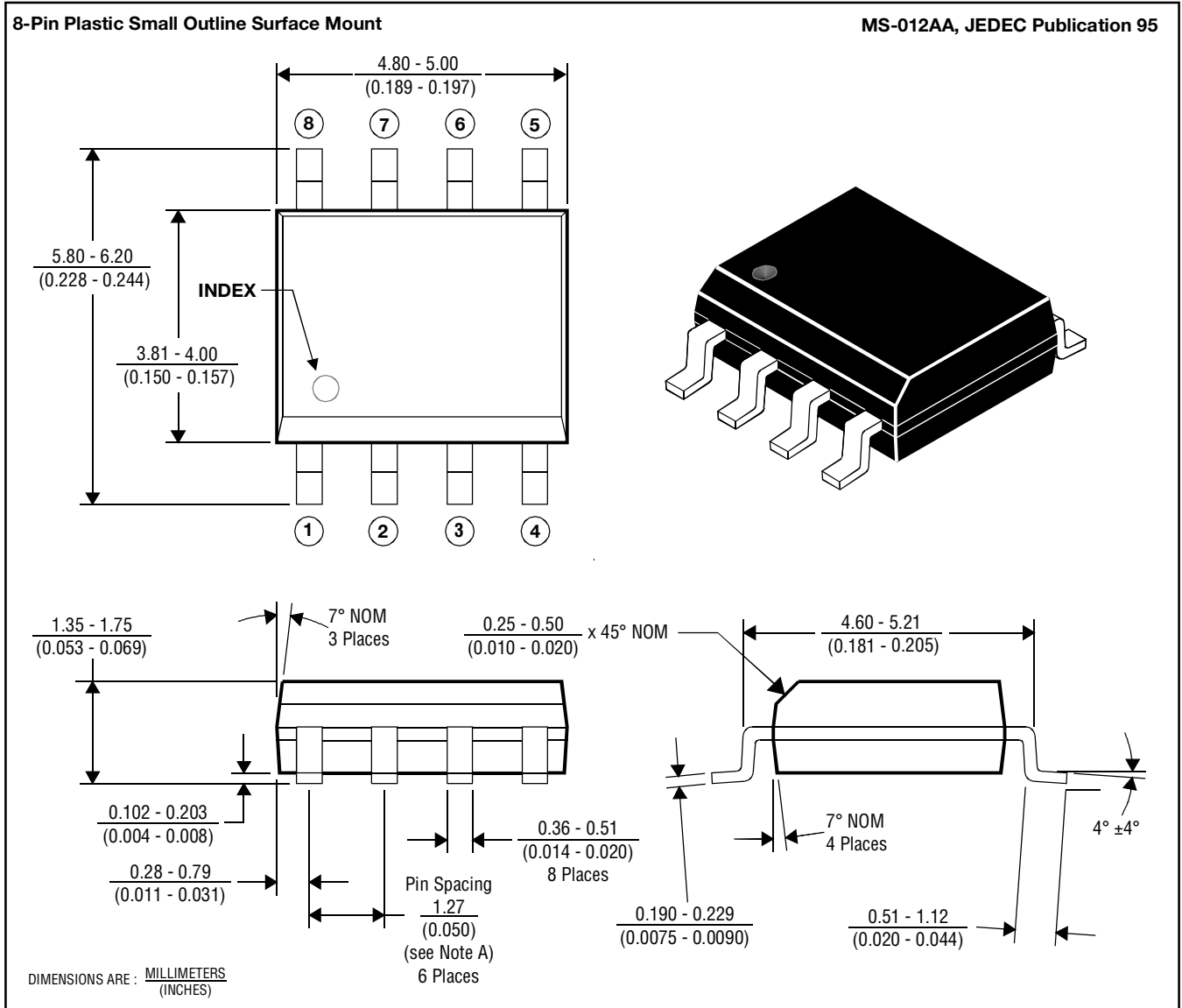
PACKAGE MECHANICAL INFORMATION



BOURNS®

8-SOIC

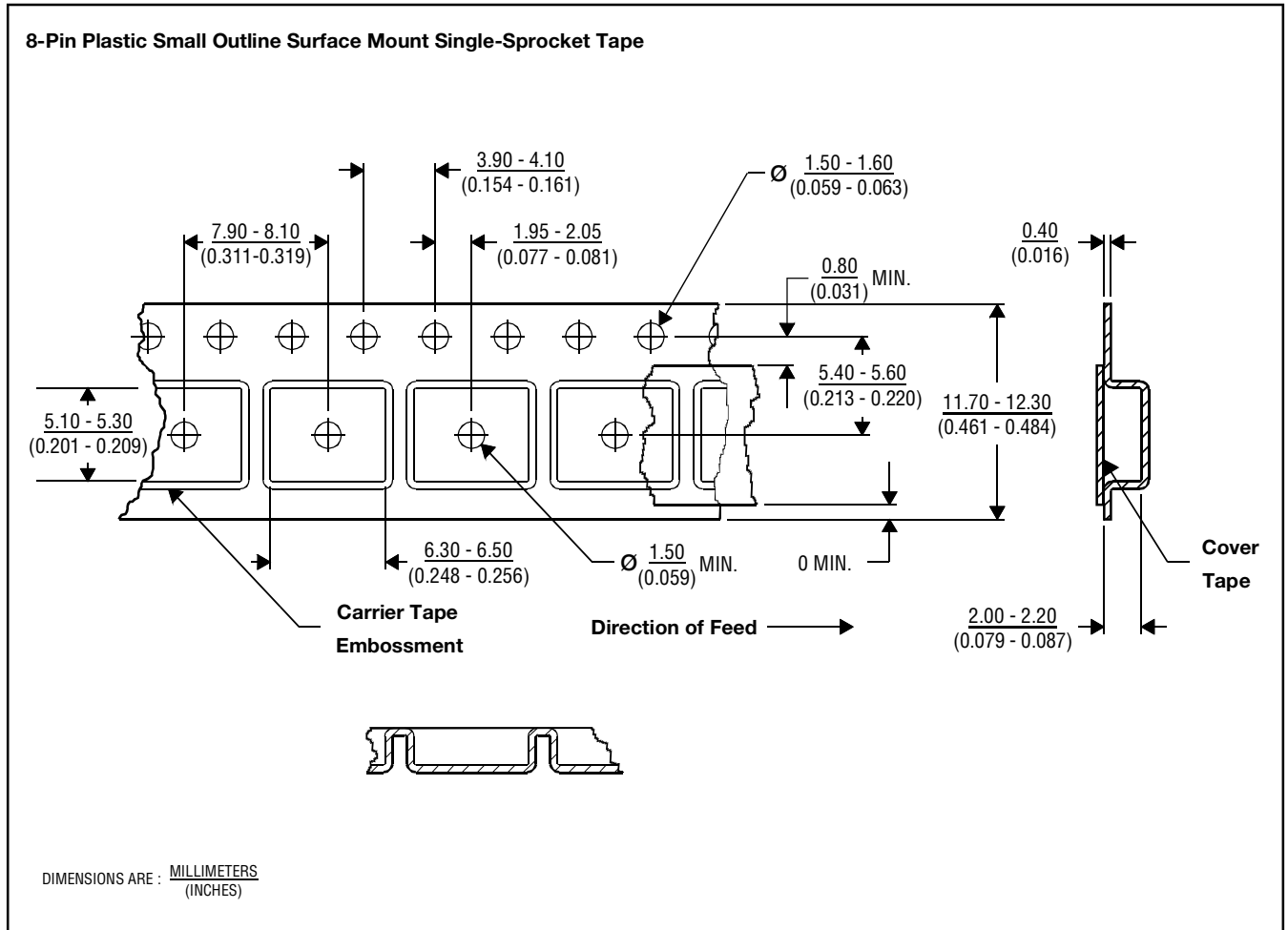
Package Outline Dimensions



- NOTES: A. Leads are within 0.25 (0.010) radius of true position at maximum material condition.
 B. Body dimensions do not include mold flash or protrusion.
 C. Mold flash or protrusion shall not exceed 0.15 (0.006).
 D. Lead tips to be planar within ±0.051 (0.002).

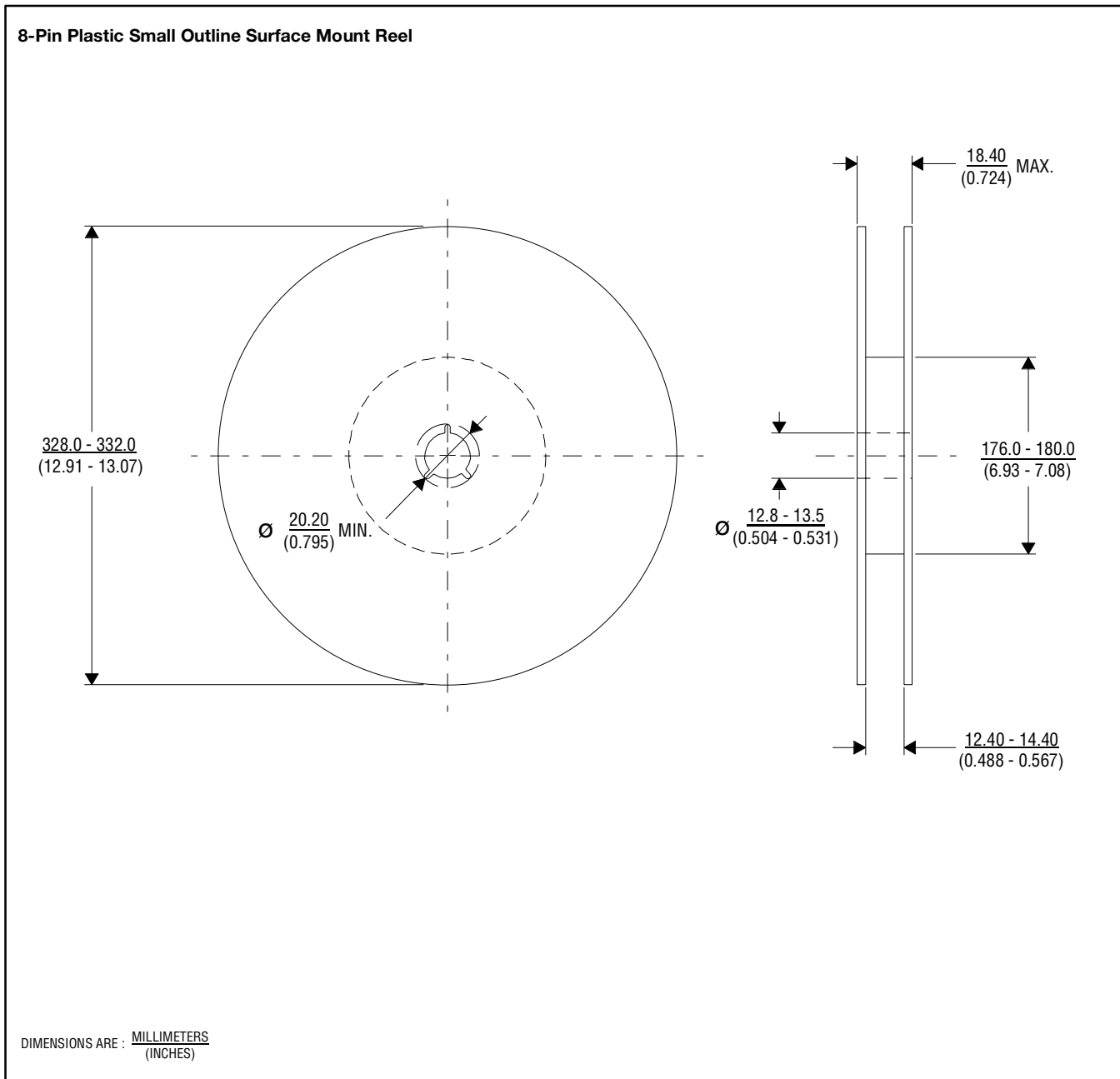
MD-8SOIC-001-b

Tape Dimensions



MD-8SOIC-002-b

Reel Dimensions

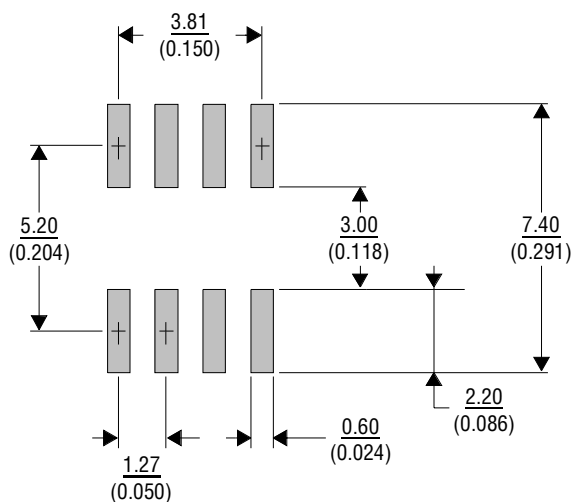


NOTE: 2500 devices per reel.

MD-8SOIC-003-a

Recommended Printed Wiring Land Pattern Dimensions

8-Pin Plastic Small Outline Surface Mount Printed Wiring Land Pattern



DIMENSIONS ARE : $\frac{\text{MILLIMETERS}}{\text{(INCHES)}}$

MD-8SOIC-004-a