



Features

- Lead free versions available (RoHS compliant*)
- Overvoltage/lightning protection to Bellcore GR-1089 & ITU-T K.20
- Standard “off the shelf” designs
- Typical application is secondary protection on telecom line cards
- Custom versions available, including SMD solutions and fuse technology (contact factory)

4B04B-50X-RC - Surge Line Protection Modules

4B04B-501 (Pair of Matched Resistors)

Product Characteristics

Resistance Values	20 ohms - 100 ohms
Resistance Tolerance	±1 %
TCR	100 ppm/°C
Ratio Tolerance	>34 ohms.....±0.5 %
	<34 ohms.....±1 %
Power Dissipation (per resistor) @ 25 °C2 W
Temperature Range	-55 °C to +125 °C

Environmental Characteristics

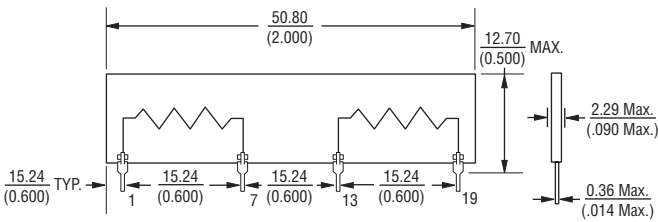
TESTS PER MIL-STD-202	ΔR MAX.
Resistance to Solvents	No Marking Deterioration
Resistance to Solder Heat	±0.5 % or 0.5 ohms, whichever is greater
Solderability	>95 % Coverage
Insulation Resistance	10 megohms min. (isolated pins)
Bias Humidity Test	50 V/85 % RH/85 °C

Functional Characteristics

Lightning Surge Test	
Bellcore Spec GR-1089	10 x 1000 μsec1 kV
	2 x 10 μsec2.5 kV
ITU-T K.20	10 x 700 μsec2 kV
Power Cross Test	Per Bellcore spec.
	(Vrms applied vary with resistance values)

Physical Characteristics

Body Style	Open Frame SIP
Body Material	96 % Alumina
Lead Frame Material	Copper, solder coated
Standard Parts Available Off the Shelf	50 ohms, 100 ohms



How To Order

Model _____ **4B 04 B - 50X - XXX LF**

(4B = Open Frame)

Number of Pins _____

Physical Configuration _____

Electrical Configuration _____

• 501 = Pair of Matched Resistors

Resistance Code _____

• First 2 digits are significant

• Third digit represents the number of zeros to follow

Lead Free Option _____

Blank = Standard Product

LF = Lead Free / RoHS Compliant Product

*RoHS Directive 2002/95/EC Jan 27 2003 including Annex.
Specifications are subject to change without notice.
Customers should verify actual device performance in their specific applications.

4B04B-502 (Resistor with Thermal Fuse)

Product Characteristics

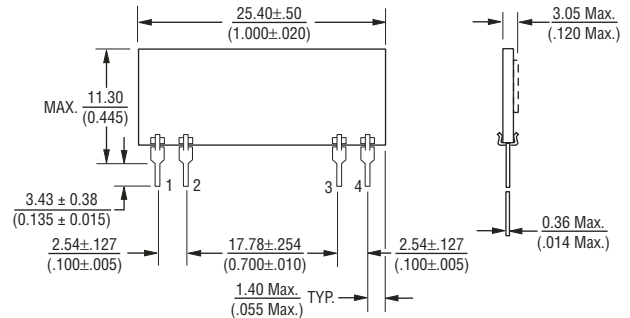
Resistance Values	5.6 ohms - 100 ohms
Resistance Tolerance	1 % (optional), 5 % (standard)
TCR800 ±200 ppm/°C
Power Dissipation @ 25 °C2 W
Temperature Range	-55 °C to +125 °C

Functional Characteristics

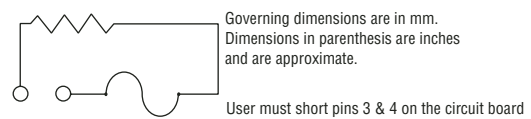
Lightning Surge Test	
Bellcore Spec GR-1089	10 x 1000 μsec1 kV
	2 x 10 μsec2.5 kV
Power Cross Test	Per Bellcore spec.
	(Vrms applied vary with resistance values)

Physical Characteristics

Body Style	Open Frame SIP
Body Material	96 % Alumina
Lead Frame Material	Copper, solder coated
Standard Parts Available Off the Shelf	5.6 ohms, 10 ohms, 34 ohms



Functional Schematic



How To Order

Model _____ **4B 04 B - 50X - XXX J LF**

(4B = Open Frame)

Number of Pins _____

Physical Configuration _____

Electrical Configuration _____

• 502 = Resistor with Thermal Fuse

Resistance Code _____

• First 2 digits are significant

• Third digit represents the number of zeros to follow

5% Tolerance _____

Lead Free Option _____

Blank = Standard Product

LF = Lead Free / RoHS Compliant Product

4B04B-50X-RC - Surge Line Protection Modules



General Description

Surge is defined as a high-energy, short-duration pulse caused by lightning or the switching of power loads. In short, a surge can be a transient wave of voltage, current or power. Most of the surge pulse waveforms are unidirectional impulses. Surge waveforms occur in many situations, including computer memory drivers and telecommunication equipment. Standards for various natural surge pulse waveforms in the telecommunication industry are IEC 801-5, ANSI/IEEE C62.41 and Bellcore GR-NWT-001089. Two consequences of inefficient surge protection in a system are (1) permanent damage to internal components, which will require component replacement and (2) temporary instability to a system, resulting in volatile memory loss in a computer or other disruptions.

A typical telecommunication application is shown in Figure 1. There are various protection devices which guard against surge over stresses. Typically, a crowbar is used for primary protection, while current limiters and clamps are used as secondary protection.

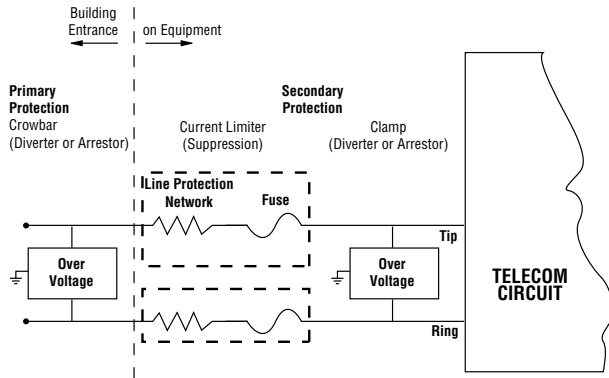


Figure 1. Typical Telecom Application

There are several standard telecommunication waveforms - 10 x 1000 microsecond, 0.5 x 700 micro-second, 10 x 700 microsecond, etc. The definition of a 10 x 1000 microsecond is shown in Figure 2. The first number refers to the voltage rise time while the second numbers indicate the duration. All of these surge pulse waveforms consist of energy levels from 10 to 100 Joules.

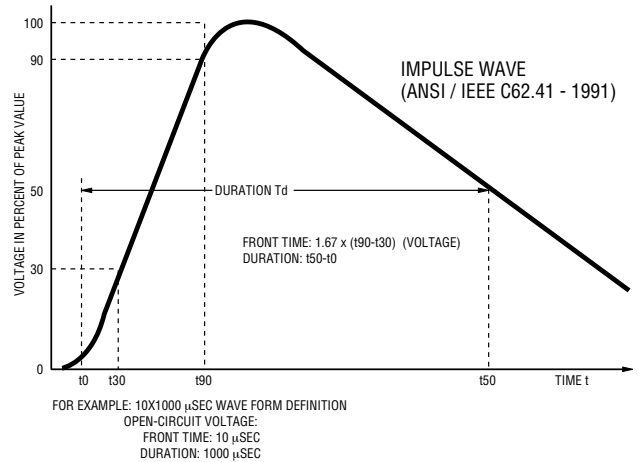
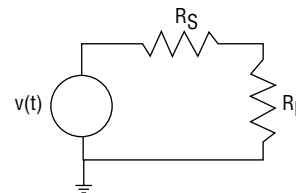


Figure 2. Surge Waveform

Line Protection Networks

Line protection networks are used to dissipate high energy for a short period of time. Figure 3 shows how the amount of energy is dependent on the pulse duration and value of the load resistance. An equation used to determine the amount of energy transferred to the load by the overstress test waveform can be given as follows:

$$\text{Energy, } W = \frac{1}{(R_s + R_L)} \cdot \frac{R_L}{(R_s + R_L)} \int_0^{\infty} v^2(t) dt$$



where R_s = source resistance (W)
 R_L = load resistance (W)
 W = energy (Joules)

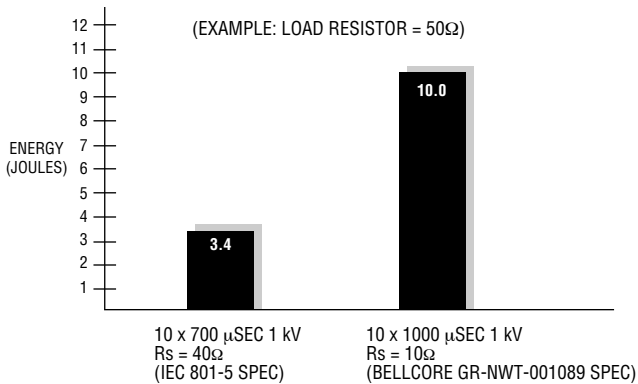


Figure 3. Energy Comparison

Surge protection is necessary in situations where smaller device geometries and higher densities make circuits susceptible to electrical over stress. Applications include instances where faster processing speeds having less inherent filtering make circuits more susceptible to noise. Also, when vulnerable ICs are used in less-controlled environments, circuits can be exposed to extreme electrical conditions.

Common Surge Modes

There are two common surge modes: (1) metallic, i.e., normal, transverse or differential (Figure 4) and (2) longitudinal, i.e., common (Figure 5). In the metallic surge mode, earth or ground is not involved. Both conductors are metal. Surge current flows from tip to ring or ring to tip. The longitudinal surge mode involves a connection in which the wave is applied between one or more lines and ground. The longitudinal surge current flows from tip to ground and ring to ground.

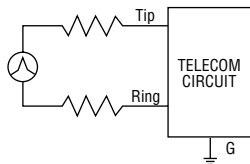


Figure 4. Typical Metallic Application Mode

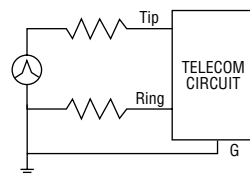


Figure 5. Typical Longitudinal Application Mode

Bourns Line Protection Networks

The Bourns Line Protection Network provides current limiting for telecommunication protection circuits and consists of two high-power surge resistors, which are utilized in the secondary protection block of central office switch systems (Figure 6). This device protects sensitive circuitry from lightning strikes and power cross-conditions by limiting irregular currents through the system.

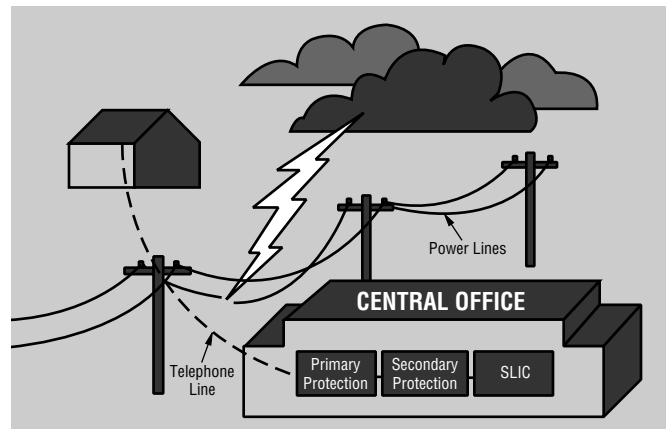


Figure 6. Surge Causes

The line protection network features a resistance range between 50 and 100 ohms, resistors that are able to withstand lightning and power conditions per Bellcore specification GR-NWT-001089, noise reduction through close-ratio matching (\pm percent) between tip and ring resistor pairs and superior material systems created especially for high-power, high-reliability products and applications.

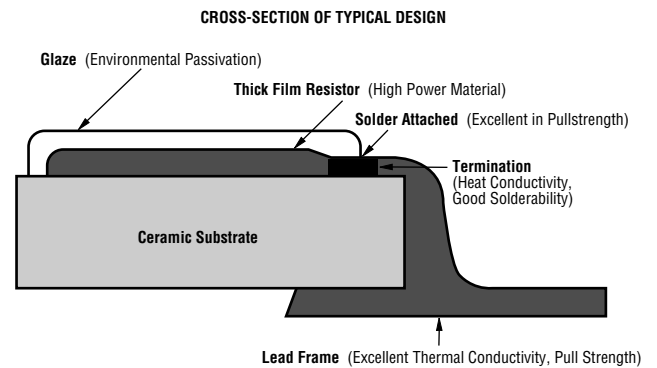
4B04B-50X-RC - Surge Line Protection Modules

BOURNS®

Thick Film Line Protection Network Technology Comparison

ELEMENTS	OLDER TECHNOLOGY	STATE-OF-THE-ART TECHNOLOGY
Ceramic thickness	Greater than 0.040 in.	Less than or equal to 0.040 in.
Seated height	Greater than 0.5 in.	Less than or equal to 0.5 in.
Material and process	Standard thick film material and process	<ul style="list-style-type: none"> • New high power material • Improved processing
Temperature coefficient of resistance (TCR)	Greater than 100ppm/°C	Less than 100ppm/°C
Tip and ring resistors ratio	1%	0.5% or lower
Surge test waveforms <ul style="list-style-type: none"> • 100 cycles • 100 cycles • 10 cycles 	10 x 700 μ sec 1 kV 10 x 1000 μ sec 1 kV	10 x 700 μ sec 1 kV 10 x 1000 μ sec 1 kV 2 x 10 μ sec 2.5 kV
Bias humidity temperature 1000 hr. Δ R	2% or greater	0.25% or lower

Thick Film Line Protection Network Construction And Benefits



Customer Advantages

The Bourns Thick Film Line Protection Network provides customers with tip and ring resistors on the same component for single placement processing. Customer lead times are reduced because parts are readily available. Bourns is an experienced supplier of state-of-the-art thick film overcurrent protection devices. Bourns also has global design and manufacturing centers for localized service.

Specialty devices are available like surge resistor and standard resistors on the same package, fusible links which are "fail safe" integrated with surge resistors and custom electrical configurations and tolerances. The thick film line protection network also has quick-turn sample times.

¹REFERENCE: STANDLER, RONALD B., "PROTECTION OF ELECTRONIC CIRCUITS FROM OVERVOLTAGES." PP 89 - 102, 1989.