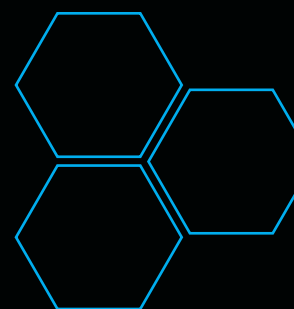
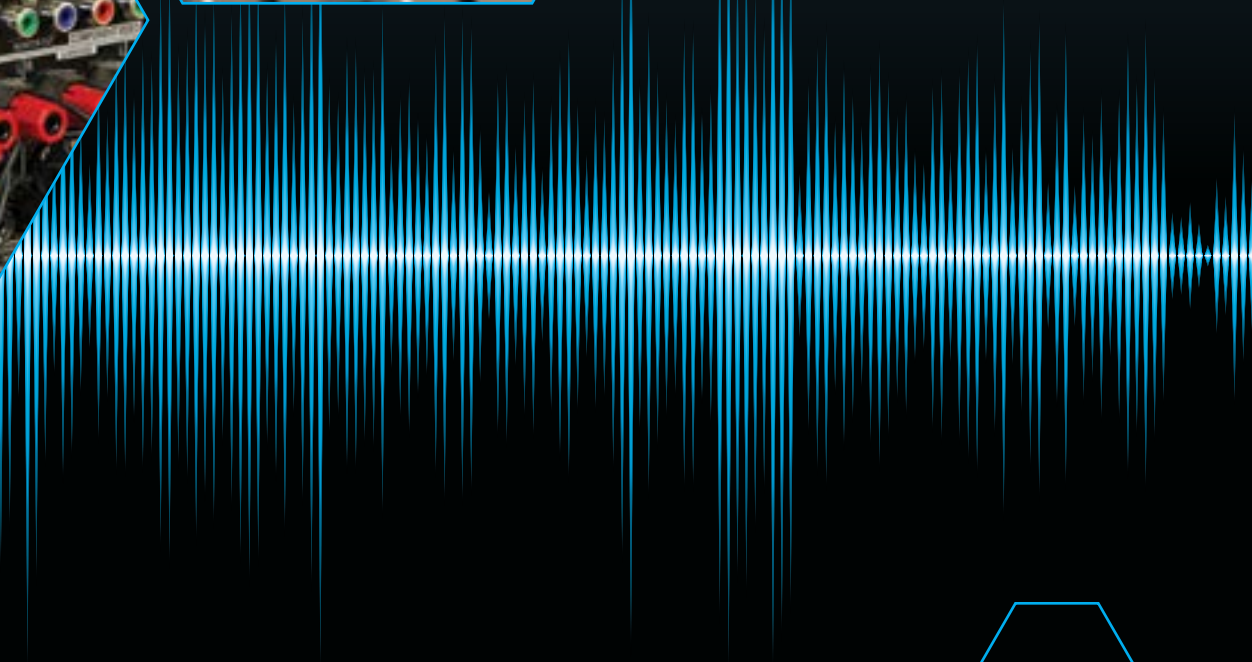


BOURNS[®] PRO AUDIO



Introduction

Making music and sharing it, that is what the music industry is all about. From the soul to the stage to the studios, there are a multitude of ways to make, share and enjoy music. Now more than ever, it involves electronic equipment with multiple data connections, increased power demands, and improved user input controls.

Bourns is proud to be a part of this industry and has established a reputation for bringing quality, reliability and value to the business.

With a wide portfolio of products, Bourns has precision components suitable for use in studio equipment, as well as “road-worthy” components designed to withstand the abuse of repeated set-ups and tear downs associated with concert tours. From user input controls to power management to circuit protection, Bourns has the products that enable you to do what you love, make music!



User Input Controls in Pro Audio

Applications

- Electric Guitars & Effects Pedals
- Instrument Amplifiers
- Audio & Broadcast Mixing Consoles
- Keyboards, Digital Drums & Sound Processors
- Sound and Video Editing Equipment

For many artists, the music gets to the audience through their fingertips. The best music requires the best controls throughout the performance. Issues such as sloppy controls, noisy output or gritty feel can all affect the integrity of the music and lights, whether in a garage or on a stage. For a high quality performance, you need high quality controls.

As the professional audio industry evolves, Bourns continues to design and add components to its portfolio to meet industry demands. In addition to standard controls, Bourns can provide customization to meet the artist's needs by offering various value-added options such as tighter tolerances, custom feel, and custom output.

Bourns, Inc. has provided highly reliable faders and rotary controls to the music and lighting industries for decades. From studio quality to "road-worthy" components, Bourns has the user interface controls for the job.



Power Management in Pro Audio

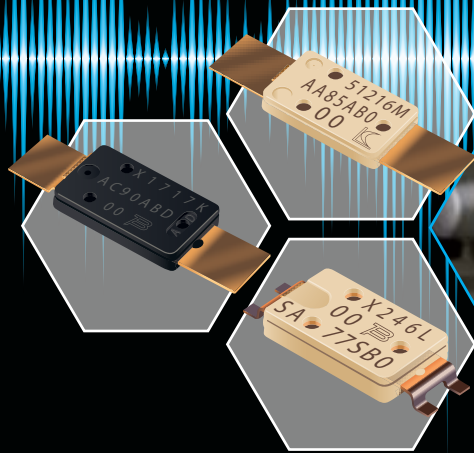
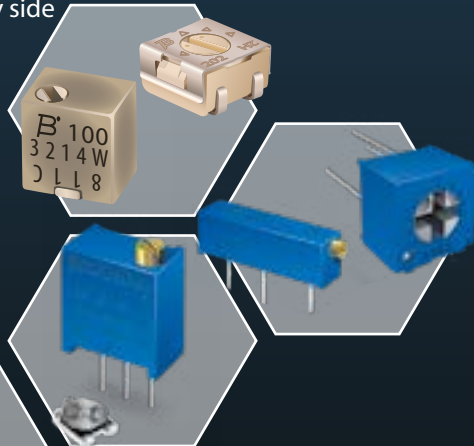
Applications

- Power Supplies
- Battery Protection
- Surge Protection

Today's performances require clean, reliable power to make sure the show goes on. With the latest innovations in stage lighting, sound equipment, and instrument electronics, power requirements are everywhere, and Bourns has you covered. Bourns offers components for both linear and switch mode power supplies.

Bourns' extensive line of electronic components and custom application solutions help you meet the power needs of this demanding market and keep the show going by provide highly reliable performance.

On the primary and secondary side of the power supply, Bourns' offering includes inductors, rectifier diodes, current sense resistors, power resistors, trimming potentiometers, and power transformers.



Circuit Protection in Pro Audio

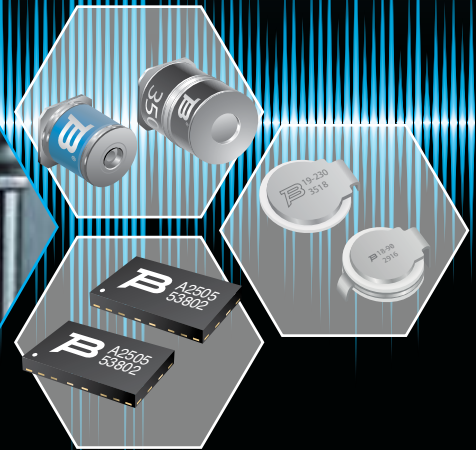
Applications

- AC/DC Power Lines
- HDMI
- USB
- Firewire
- Ethernet

A great performance requires power and data to make sure the show goes on. To keep up with the evolving musical landscape, professional audio and lighting equipment have incorporated smart features and interconnectivity.

These connections make the equipment much more susceptible to faults from short circuits, electrostatic discharge (ESD), power surges, and the inevitable incorrect connection during set-ups. To help prevent damage, Bourns offers circuit protection products for both communication ports and power lines.

With a vast array of circuit protection products from Bourns, not only can you protect your equipment from electrical surges, you can also be sure that your audience enjoys an uninterrupted performance.



Worldwide Sales Offices

Country	Phone	Email
Americas:	+1-951-781-5500	americus@bourns.com
Brazil:	+55 11 5505 0601	americus@bourns.com
China:	+86 21 64821250	asiacus@bourns.com
Europe, Middle East, Africa:	+36 88 885 877	eurocus@bourns.com
Japan:	+81 49 269 3204	asiacus@bourns.com
Korea:	+82 70 4036 7730	asiacus@bourns.com
Singapore:	+65 6348 7227	asiacus@bourns.com
Taiwan:	+886 2 25624117	asiacus@bourns.com
Other Asia-Pacific Countries:	+886 2 25624117	asiacus@bourns.com

Technical Assistance Region

Region	Phone	Email
Asia-Pacific:	+886 2 25624117	techweb@bourns.com
Europe, Middle East, Africa:	+36 88 885 877	eurotech@bourns.com
Americas:	+1-951-781-5500	techweb@bourns.com

www.bourns.com/proaudio



COPYRIGHT © 2020, BOURNS, INC. • LITHO IN U.S.A. • PSG - 04/20 • e/SC2012

"Bourns® Pro Audio" with guitar logo is a trademark of Bourns, Inc.
"PortNote" is a registered service mark of Bourns, Inc.
"Bourns", "Multifuse" and "ChipGuard" are registered trademarks of Bourns, Inc. in the U.S. and other countries.

Bourns® products are available through an extensive network of manufacturer's representatives, agents and distributors.

To obtain technical applications assistance, a quotation, or to place an order, contact a Bourns representative in your area.

Specifications subject to change without notice. Actual performance in specific customer applications may differ due to the influence of other variables. Customers should verify actual device performance in their specific applications.