



PRODUCT CHANGE NOTIFICATION

MAGNETICS



Bourns® Model SRN1060 Series Semi-shielded Power Inductors

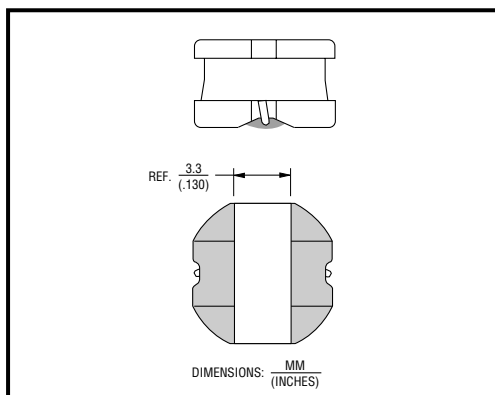
Change to Inductor Core Design

Riverside, California – September 14, 2021 – Effective March 12, 2022, Bourns will change the inductor core design for the [Model SRN1060 Series Semi-shielded Power Inductors](#). The modified inductor core will have a slightly thicker top, bottom flanges and a wider terminal separation distance. These modifications will improve the core's strength.

As a result of the core modification, the recommended layout will change.

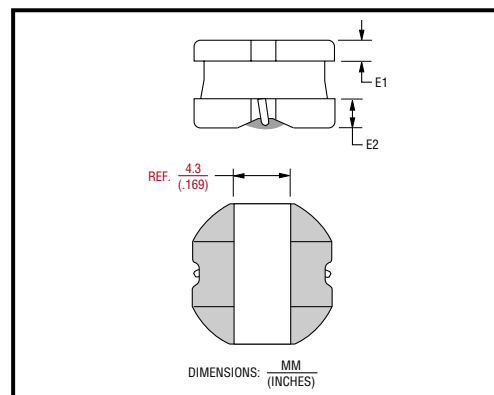
Affected Part Numbers	
SRN1060-100M	SRN1060-221M
SRN1060-101M	SRN1060-330M
SRN1060-151M	SRN1060-331M
SRN1060-180M	SRN1060-470M
SRN1060-220M	SRN1060-471M

Existing Inductor Core Design



New Inductor Core Design

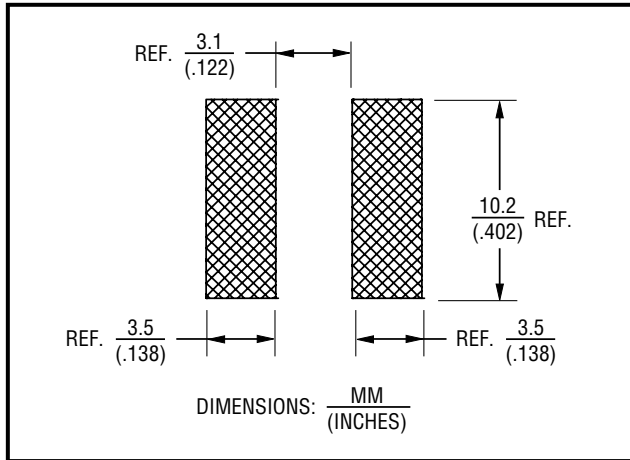
Larger E1, E2 dimension and wider terminal separation distance



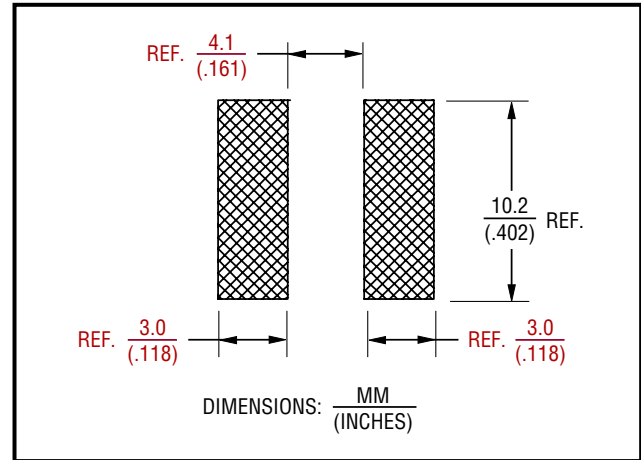
Users should verify that the described changes will not impact the performance of the product in their specific applications.

IC219913

Existing Recommended Layout



New Recommended Layout



The form and fit of the inductor will change as a result of the described changes. The function will remain the same. The quality and reliability of the component should be improved.

Inductor samples with the new design are available upon request.

Implementation dates are as follows:

Date that products in existing design will cease: **March 12, 2022**

Date that deliveries of products in new design will begin: **March 13, 2022**

First date code using the above changes: **2211**

If you have any questions or need additional information, please feel free to [contact Customer Service/Inside Sales](#).