

PRODUCT CHANGE NOTIFICATION

MAGNETICS



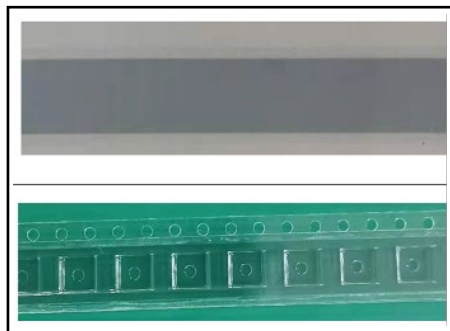
Model SRN4018 Series Semi-shielded Power Inductors

Package Cover Tape Change

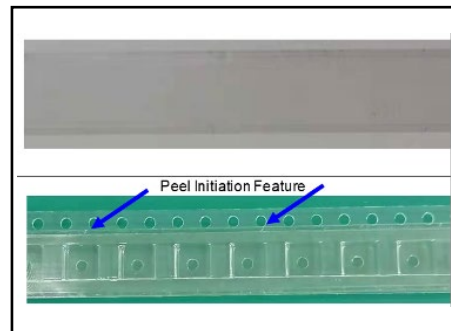
Riverside, California – August 3, 2021 – In the spirit of continuous improvement, effective February 5, 2022, Bourns will change the package cover tape from Pressure Sensitive Adhesive (PSA) to Universal Cover Tape (UCT) for [Model SRN4018 Series Semi-shielded Power Inductors](#). The Universal Cover Tape allows the removal of the middle section of cover tape while the adhesive edges remain attached to the carrier. This new cover tape may reduce an end user's assembly downtime associated with poor cover tape sealing and adhesive contamination that may occur with PSA cover tape. A list of affected part numbers is included below.

Affected Part Numbers			
SRN4018-8R2Y	SRN4018-2R7M	SRN4018-150M	SRN4018-101M
SRN4018-1R0Y	SRN4018-3R3M	SRN4018-220M	SRN4018-151M
SRN4018-1R2Y	SRN4018-4R7M	SRN4018-330M	SRN4018-221M
SRN4018-1R5Y	SRN4018-6R8M	SRN4018-470M	SRN4018-331M
SRN4018-2R2M	SRN4018-100M	SRN4018-680M	

Current Package Cover Tape

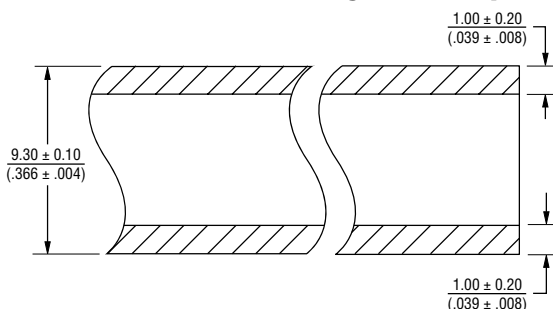


Revised Package Cover Tape

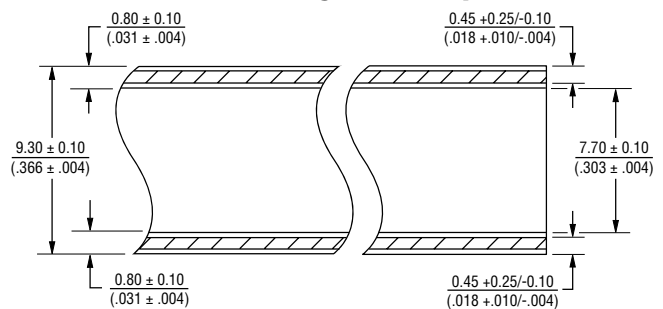


Dimensions:

Current Package Cover Tape



Revised Package Cover Tape



Users should verify that the described changes will not impact the performance of the product in their specific applications.

IC2190

Features	Current Package Cover Tape	Revised Package Cover Tape
Material	PET	Polystyrene
Color	Grey	Transparent
Thickness (mm)	0.062	0.060
Antistatic	$\leq 10^9$	$10^7 - 10^{12}$
Tensile strength	$\geq 29.4\text{N/mm}^2$	$\geq 6\text{N/mm}^2$
Peeling strength	20 – 80g	15 – 60g

The form, fit, function, quality and reliability of the inductor are not affected with the change of package cover tape. The quality of the package cover tape should be improved.

Implementation dates are as follows:

*Date that manufacturing of products with existing package cover tape will cease: **February 5, 2022***

*Date that deliveries of products with modified package cover tape will begin: **February 6, 2022***

*First date code using the above changes: **2206***

If you have any questions or need additional information, please feel free to [contact Customer Service/Inside Sales](#).