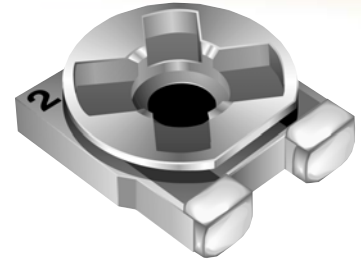




Product Change Notification

TRIMMERS



June 2007

Bourns® Trimpot® Product Line Announces TC33 Product Change

Bourns is pleased to announce a product improvement on [Model TC33](#). The current TC33 joins the terminals to the ceramic with an electro-conductive adhesive. The new version will solder the terminals in place. Another improvement is the addition of a sealing resin on the bottom of the trimmer. The sealing resin will add support to the rotor.

The new version will begin shipping on September 3, 2007. There will be a transition period where both versions will be shipped.

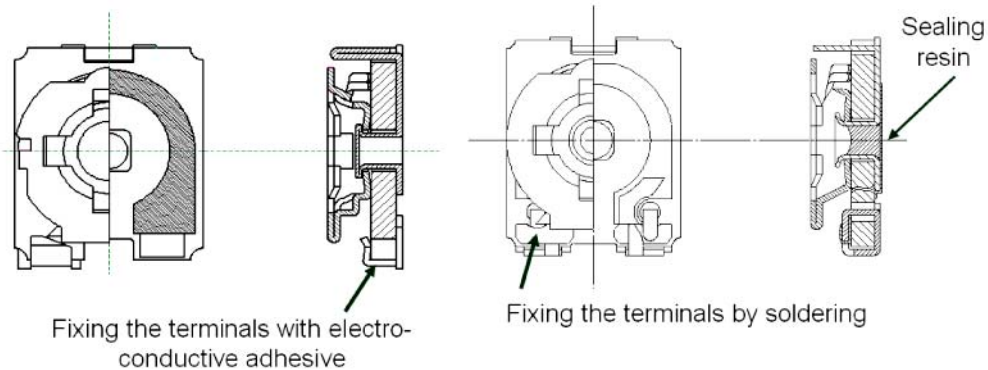


Figure 1: Current versus New TC33